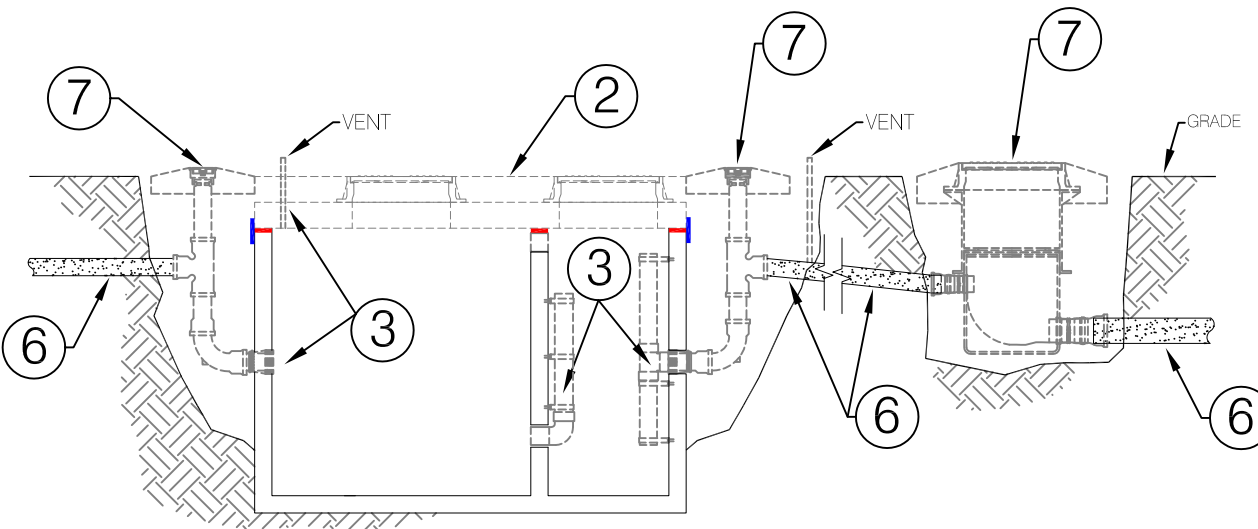
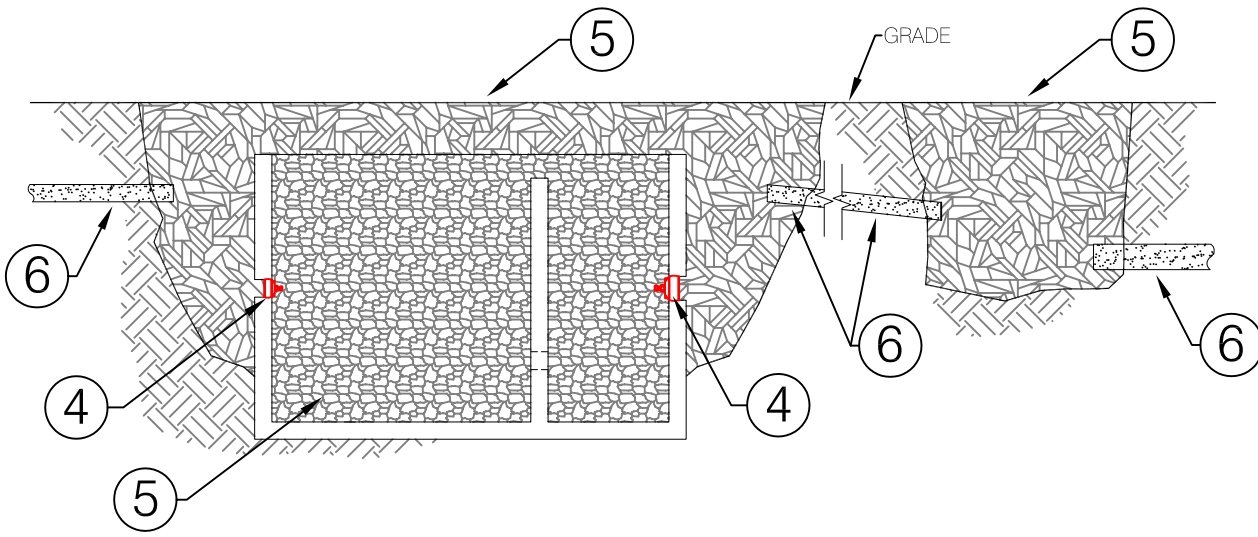


REQUIRED ABANDONMENT STEPS

1. A LICENSED GREASE INTERCEPTOR PUMPER IS REQUIRED TO PUMP THE LIQUID, SLUDGE AND SCUM FROM THE TANK.
- ② REMOVE AND DISPOSE OF THE TANK TOP PROPERLY.
- ③ DISCONNECT AND REMOVE ANY INTERNAL FIXTURES INCLUDING VENT PIPES.
- ④ PLUG INTERCEPTOR EXTERIOR WALL OPENINGS WHERE PIPING ENTERS AND EXITS TANK USING CAST ALUMINUM EXPANSION PLUGS OR PRE-APPROVED EQUAL.
- ⑤ FILL THE INTERCEPTOR WITH CLASS I BEDDING MATERIAL. IN PAVED AREAS, BACKFILL ABANDONMENT'S AND PERFORM PAVEMENT REPAIR PER LRW SPECIFICATIONS APPROPRIATE DETAIL. IN NON-PAVED AREAS, BACKFILL ABANDONMENT'S WITH SELECT NATIVE MATERIAL TO NATURAL GRADE AND ESTABLISH A VEGETATIVE COVER.
- ⑥ GROUT FILL ALL EXTERNAL ABANDONED PIPING.
- ⑦ REMOVE CLEANOUTS AND CONNECTED PIPING, AS WELL AS SAMPLING MANHOLE, AND BACKFILL THE AREA TO THE NATURAL GRADE AND ESTABLISH A VEGETATIVE COVER.



**GREASE INTERCEPTOR
ABANDONMENT & SEAL
DETAILS**



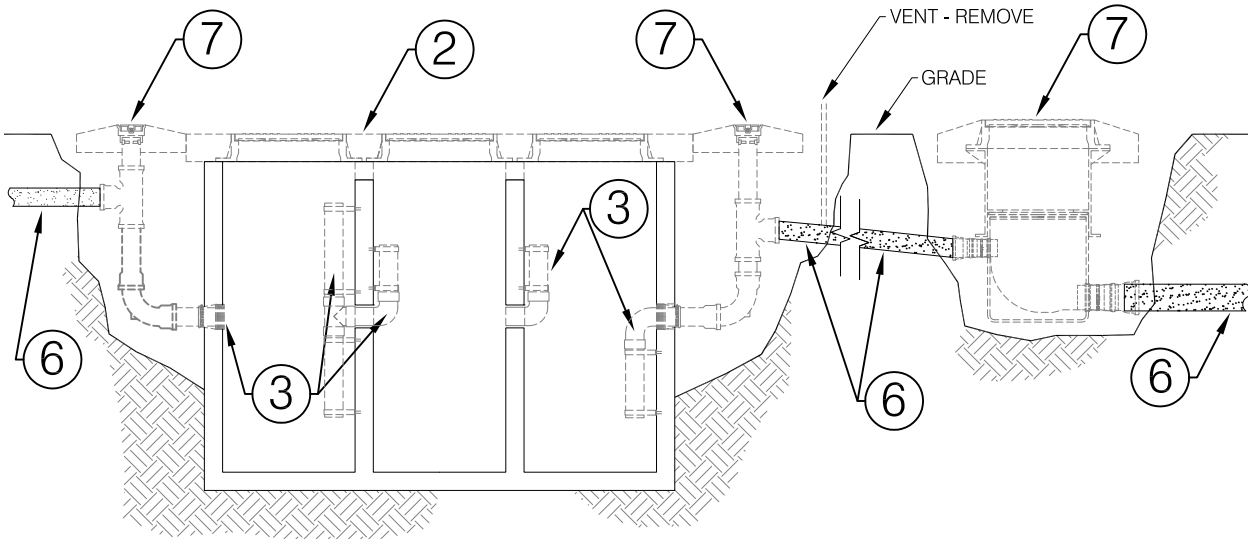
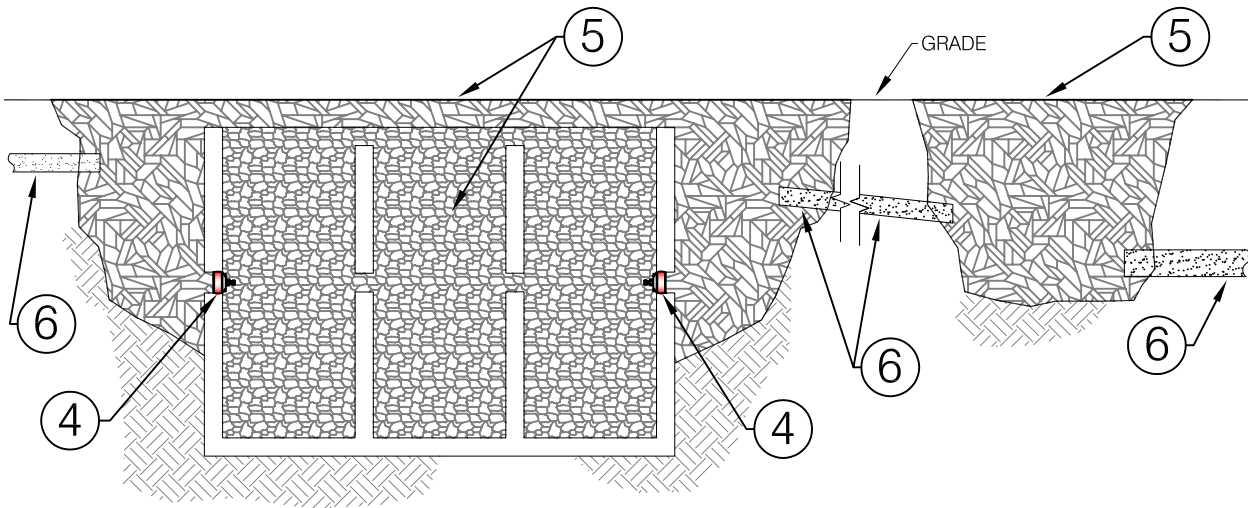
Prepared By: Evangeline O'Neal
Updated: 12/15/2008 6:04:32 PM
Drawing Status: **APPROVED**
Filename: LRW EAD 2.14.dwg

Notes

1. ALL CHANGES/REVISIONS/ETC. MUST BE APPROVED BY THE LRW DIRECTOR OF ENVIRONMENTAL ASSESSMENT.
2. THIS DRAWING IS THE PROPERTY OF LITTLE ROCK WASTEWATER, AND IS NOT TO BE MODIFIED IN WHOLE OR IN PART. IT IS TO BE USED FOR PROJECT(S) ASSOCIATED WITH LITTLE ROCK WASTEWATER.

REQUIRED ABANDONMENT STEPS

1. A LICENSED SAND/OIL INTERCEPTOR PUMPER IS REQUIRED TO PUMP THE LIQUID, SLUDGE AND SCUM FROM THE TANK.
- ② REMOVE AND DISPOSE OF THE TANK TOP PROPERLY. REUSE THE MANHOLE LIDS, IF POSSIBLE.
- ③ DISCONNECT AND REMOVE ANY INTERNAL FIXTURES INCLUDING VENT PIPES.
- ④ PLUG INTERCEPTOR EXTERIOR WALL OPENINGS WHERE PIPING ENTERS AND EXITS TANK USING CAST ALUMINUM EXPANSION PLUGS OR PRE-APPROVED EQUAL.
- ⑤ FILL THE INTERCEPTOR WITH CLASS I BEDDING MATERIAL. IN PAVED AREAS, BACKFILL ABANDONMENT'S AND PERFORM PAVEMENT REPAIR PER LRW SPECIFICATIONS APPROPRIATE DETAIL. IN NON-PAVED AREAS, BACKFILL ABANDONMENT'S WITH SELECT NATIVE MATERIAL TO NATURAL GRADE AND ESTABLISH A VEGETATIVE COVER.
- ⑥ GROUT FILL ALL EXTERNAL ABANDONED PIPING.
- ⑦ REMOVE CLEANOUTS AND CONNECTED PIPING, AS WELL AS SAMPLING MANHOLE, AND BACKFILL THE AREA TO THE NATURAL GRADE AND ESTABLISH A VEGETATIVE COVER.



SECTION

SAND/OIL INTERCEPTOR
ABANDONMENT & SEAL
DETAILS



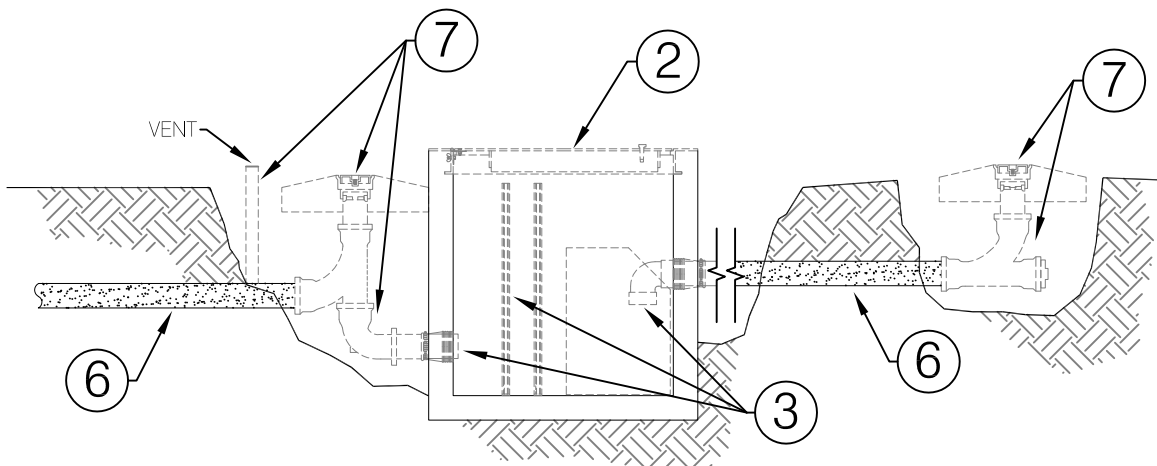
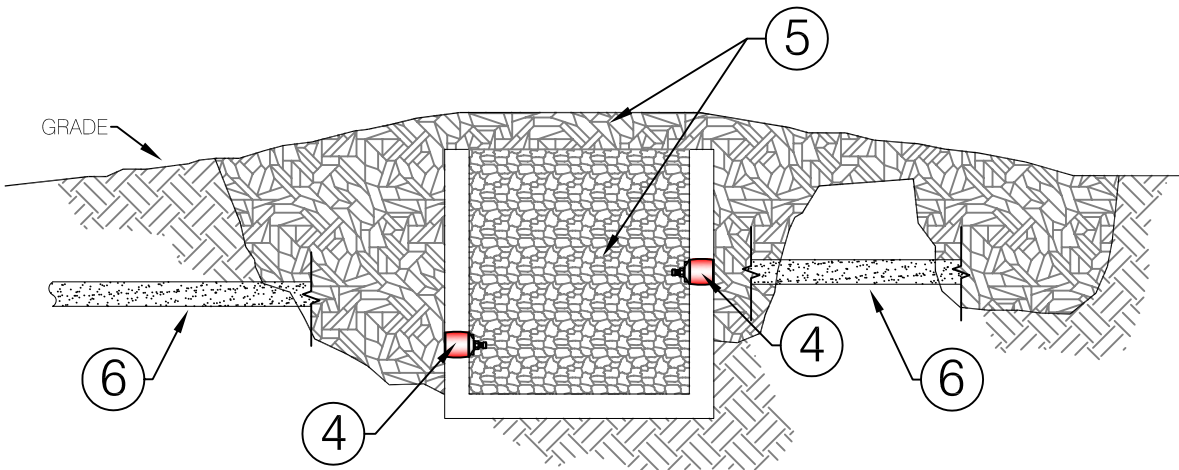
Prepared By: Evangeline O'Neal
Updated: 12/15/2008 6:23:51 PM
Drawing Status: **APPROVED**
Filename: LRW EAD 2.15.dwg

1. ALL CHANGES/REVISIONS/ETC. MUST BE APPROVED BY THE LRW DIRECTOR OF ENVIRONMENTAL ASSESSMENT.
2. THIS DRAWING IS THE PROPERTY OF LITTLE ROCK WASTEWATER, AND IS NOT TO BE MODIFIED IN WHOLE OR IN PART. IT IS TO BE USED FOR PROJECT(S) ASSOCIATED WITH LITTLE ROCK WASTEWATER.

Notes

REQUIRED ABANDONMENT STEPS

1. LINT TRAP MUST BE CLEANED OF ALL LINT, ETC.
- ②. REMOVE AND DISPOSE OF THE TRAP LID PROPERLY.
- ③. DISCONNECT AND REMOVE ALL INTERNAL FIXTURES INCLUDING VENT PIPES, FILTERS, AND LINT BASKETS.
- ④. PLUG TANK EXTERIOR WALL OPENINGS WHERE PIPING ENTERS AND EXITS TANK USING CAST ALUMINUM EXPANSION PLUGS OR PREAPPROVED EQUAL.
- ⑤. FILL THE TANK WITH CLASS I BEDDING MATERIAL. IN PAVED AREAS, BACKFILL ABANDONMENT'S AND PERFORM PAVEMENT REPAIR PER LRW SPECIFICATIONS APPROPRIATE DETAIL. IN NON-PAVED AREAS, BACKFILL ABANDONMENT'S WITH SELECT NATIVE MATERIAL TO NATURAL GRADE AND ESTABLISH A VEGETATIVE COVER.
- ⑥. GROUT FILL ALL EXTERNAL ABANDONED PIPING.
- ⑦. REMOVE ALL CLEANOUTS AND CONNECTED PIPING, AND BACKFILL THE AREA TO THE NATURAL GRADE AND ESTABLISH A VEGETATIVE COVER.
8. BEFORE FINAL APPROVAL CAN BE ISSUED, THE LINT TRAP MUST BE INSPECTED BY A LRW EAD INSPECTOR.



SECTION

**LINT TRAP
ABANDONMENT & SEAL
DETAILS**



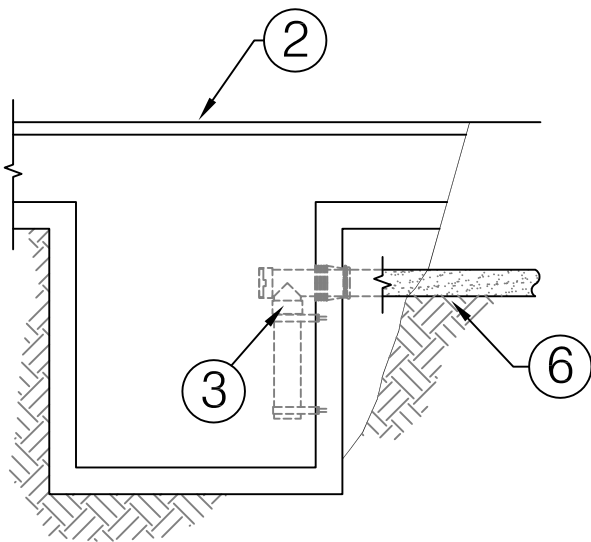
Prepared By: Evangeline O'Neal
Updated: 12/15/2008 7:14:10 PM
Drawing Status: **APPROVED**
Filename: LRW EAD 2.16.dwg

1. ALL CHANGES/REVISIONS/ETC. MUST BE APPROVED BY THE LRW DIRECTOR OF ENVIRONMENTAL ASSESSMENT.
2. **THIS DRAWING IS THE PROPERTY OF LITTLE ROCK WASTEWATER, AND IS NOT TO BE MODIFIED IN WHOLE OR IN PART. IT IS TO BE USED FOR PROJECT(S) ASSOCIATED WITH LITTLE ROCK WASTEWATER.**

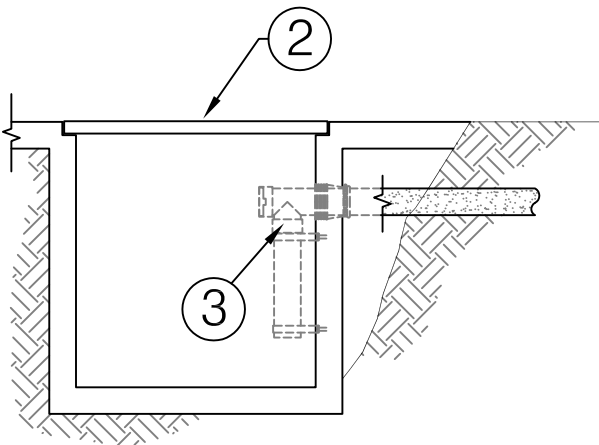
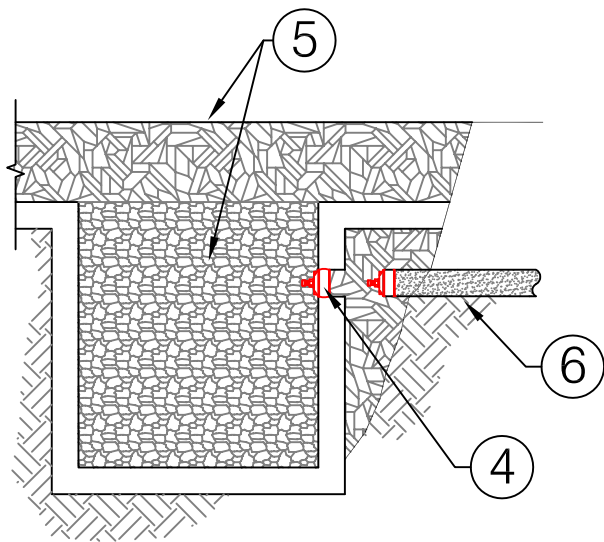
Notes

REQUIRED ABANDONMENT STEPS

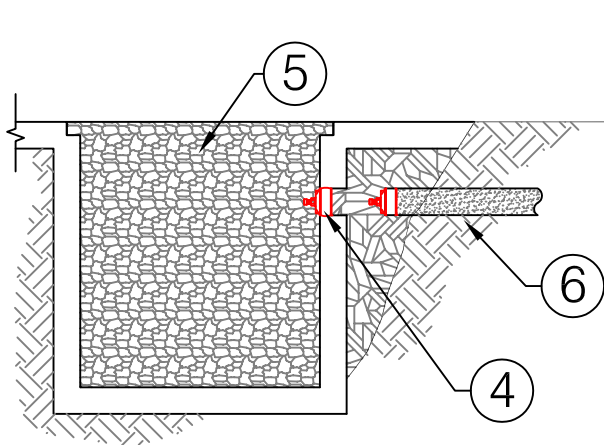
1. MAKE SURE THE CATCH BASIN IS EMPTIED AND FREE FROM DEBRIS.
- ② REMOVE AND DISPOSE OF THE CATCH BASIN LID/GRATING PROPERLY.
- ③ DISCONNECT AND REMOVE ANY INTERNAL FIXTURES.
- ④ PLUG CATCH BASIN EXTERIOR WALL OPENING WHERE PIPING EXITS BASIN USING CAST ALUMINUM EXPANSION PLUGS OR PREAPPROVED EQUAL.
- ⑤ FILL THE CATCH BASIN WITH CLASS I BEDDING MATERIAL. IN PAVED AREAS, BACKFILL ABANDONMENT'S AND PERFORM PAVEMENT REPAIR PER LRW SPECIFICATIONS APPROPRIATE DETAIL. IN NON-PAVED AREAS, BACKFILL ABANDONMENT'S WITH SELECT NATIVE MATERIAL TO NATURAL GRADE AND ESTABLISH A VEGETATIVE COVER.
- ⑥ GROUT FILL ALL EXTERNAL ABANDONED PIPING.
7. BEFORE FINAL APPROVAL FOR THE ABANDONMENT CAN BE ISSUED, IT MUST BE INSPECTED BY A MEMBER OF THE LRW EAD STAFF.



SECTION



SECTION



REQUIRED ABANDONMENT
& SEAL STEPS

1. REMOVE THE GRATE AND BASKET OR DOME STRAINER.
2. REMOVE ANY DUST, DIRT, OILS, GREASE, COATINGS, FORM RELEASE AGENTS OR ANY OTHER SURFACE CONTAMINANTS.
3. INSERT EXPANDABLE PLUG INTO PIPE TO SEAL DRAIN.
4. FILL THE VOID ABOVE THE PLUG TO THE FINISHED FLOOR LEVEL WITH CEMENTITIOUS CONCRETE SURFACER OR PRE-APPROVED EQUAL PER MANUFACTURERS APPLICATION PROCEDURES AND INSTRUCTIONS.

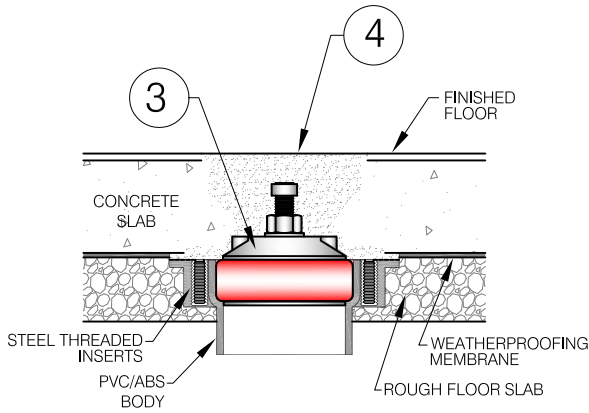
**FLOOR DRAIN & FLOOR SINK
ABANDONMENT & SEAL
DETAILS**



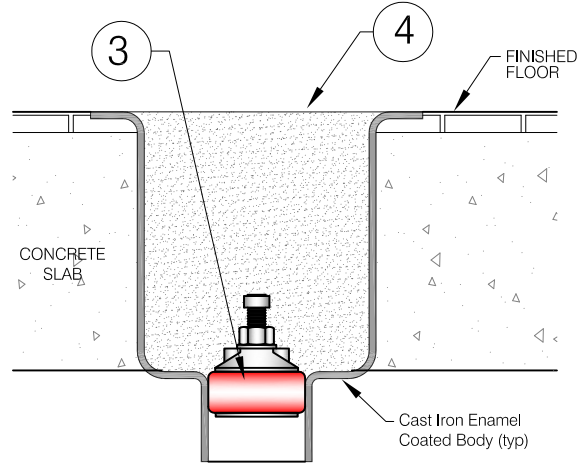
Prepared By: Evangeline OnNeal
Updated: 12/15/2008 7:52:57 PM
Drawing Status: **APPROVED**
Filename: LRW EAD 2.18.dwg

1. ALL CHANGES/REVISIONS/ETC. MUST BE APPROVED BY THE LRW DIRECTOR OF ENVIRONMENTAL ASSESSMENT.
2. THIS DRAWING IS THE PROPERTY OF LITTLE ROCK WASTEWATER, AND IS NOT TO BE MODIFIED IN WHOLE OR IN PART. IT IS TO BE USED FOR PROJECT(S) ASSOCIATED WITH LITTLE ROCK WASTEWATER.

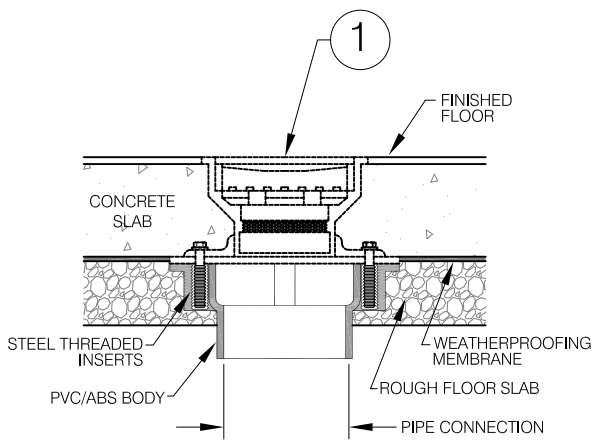
Notes



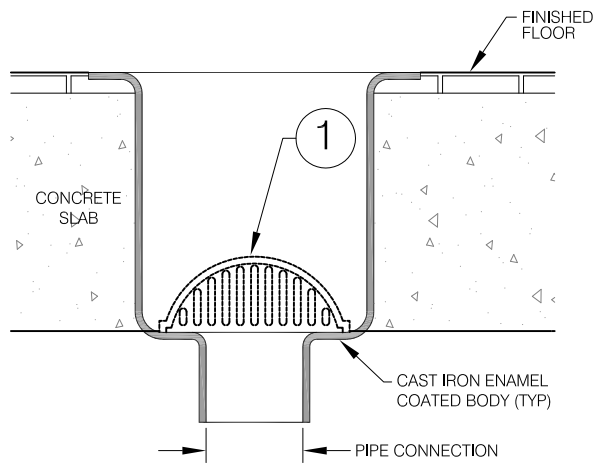
FLOOR DRAIN ABANDONMENT



FLOOR SINK ABANDONMENT



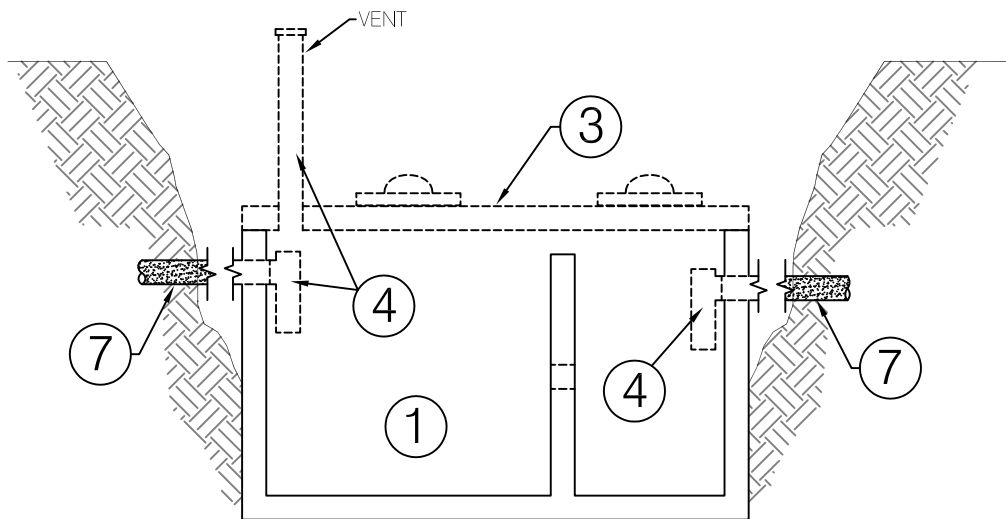
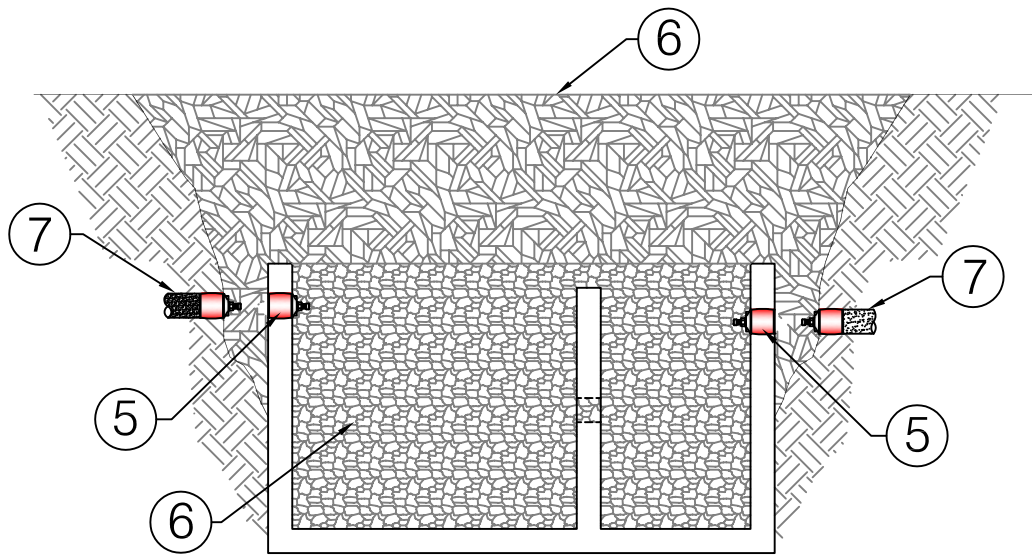
FLOOR DRAIN SECTION



FLOOR SINK SECTION

REQUIRED ABANDONMENT STEPS

- ①. A LICENSED SEPTIC TANK CLEANER IS REQUIRED TO PUMP THE LIQUID, SLUDGE AND SCUM FROM THE TANK.
2. IF CONNECTED TO A POWER SOURCE, DISCONNECT POWER AT THE SOURCE TO ALL ELECTRICAL CONTROLS AND REMOVE ALL CONTROLS AND PANELS.
- ③. REMOVE AND DISPOSE OF THE TANK TOP PROPERLY.
- ④. DISCONNECT AND REMOVE ANY INTERNAL FIXTURES INCLUDING VENT PIPES.
- ⑤. PLUG TANK EXTERIOR WALL OPENINGS WHERE PIPING ENTERS AND EXITS TANK USING CAST ALUMINUM EXPANSION PLUGS OR PRE-APPROVED EQUAL.
- ⑥. FILL THE TANK WITH CLASS I BEDDING MATERIAL. IN PAVED AREAS, BACKFILL ABANDONMENT'S AND PERFORM PAVEMENT REPAIR PER LRW SPECIFICATIONS APPROPRIATE DETAIL. IN NON-PAVED AREAS, BACKFILL ABANDONMENT'S WITH SELECT NATIVE MATERIAL TO NATURAL GRADE AND ESTABLISH A VEGETATIVE COVER.
- ⑦. GROUT FILL ALL EXTERNAL ABANDONED PIPING, INCLUDING THE FIELD LINES, COAT ALL SURFACE AREAS EXPOSED TO EFFLUENT WITH HYDRATED LIME AND ESTABLISH A VEGETATIVE COVER.
8. REMOVE ALL PARTS OF THE DRAIN FIELD ON THE GROUND SURFACE (SUCH AS VALVES, VALVE BOXES AND RISERS) AND BACKFILL THE AREA TO THE NATURAL GRADE AND ESTABLISH A VEGETATIVE COVER.
9. BEFORE FINAL APPROVAL CAN BE ISSUED, CORE SAMPLE NEAR THE TANK MUST BE TAKEN TO INDICATE THE ABSENCE OR PRESENCE OF PRIOR GROUND DISCHARGE.
10. WAIT AT LEAST 18 MONTHS BEFORE USING THE DISPOSAL AREA FOR GARDENING OR CONSTRUCTION.



SECTION

**SEPTIC TANK
ABANDONMENT & SEAL
DETAILS**



Prepared By: Evangelina O'Neal
 Updated: 12/15/2008 7:44:05 PM
 Drawing Status: **APPROVED**
 Filename: LRW EAD 2.19.dwg

1. ALL CHANGES/REVISIONS/ETC. MUST BE APPROVED BY THE LRW DIRECTOR OF ENVIRONMENTAL ASSESSMENT.
 2. THIS DRAWING IS THE PROPERTY OF LITTLE ROCK WASTEWATER, AND IS NOT TO BE MODIFIED IN WHOLE OR IN PART. IT IS TO BE USED FOR PROJECT(S) ASSOCIATED WITH LITTLE ROCK WASTEWATER.

Notes