

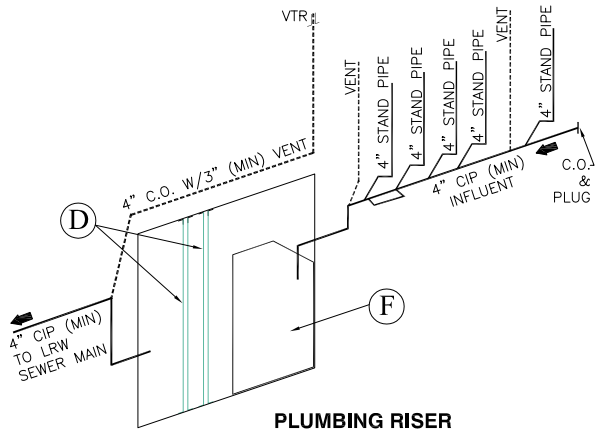
**TYPICAL COMMERCIAL LAUNDRY
LINT INTERCEPTOR DETAILS**



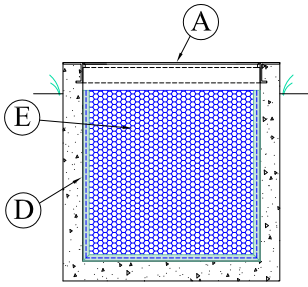
PREPARED BY: EVANGELINE O'NEAL
LATEST REVISION: 12/15/2008 5:31:14 PM
DRAWING STATUS: **APPROVED**
FILENAME: LRW EAD 2.13.dwg

ALL CHANGES/REVISIONS/ETC. MUST BE APPROVED BY THE LRW DIRECTOR OF ENVIRONMENTAL ASSESSMENT.
THIS DRAWING IS THE PROPERTY OF LITTLE ROCK WASTEWATER (LRW), AND IS NOT TO BE MODIFIED IN WHOLE OR IN PART. IT IS TO BE USED FOR PROJECT(S) ASSOCIATED WITH LITTLE ROCK WASTEWATER.

Notes



PLUMBING RISER



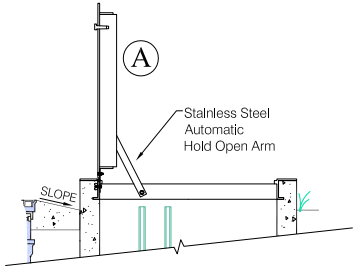
SECTION '2'

ADDITIONAL NOTES:

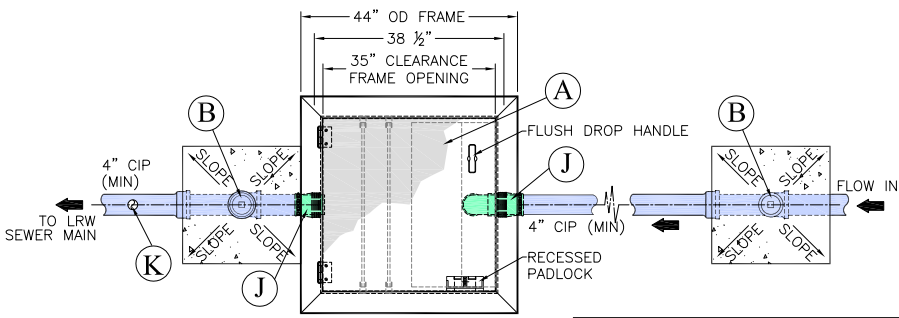
1. AREA OF FRAME IN CONTACT WITH CONCRETE IS TO BE PAINTED WITH BITUMINOUS COATING.
2. IN THE EVENT THE INTERCEPTOR IS TO BE LOCATED IN A PARKING AREA, STEEL BOLLARDS ARE TO BE USED TO PROTECT THE INTERCEPTOR AND LID. REFER TO DRAWING LRW EAD 2.3, FIG. 1-6 FOR DETAIL.

- (A) STAINLESS STEEL FABRICATED LID WITH LOCKING MECHANISM.
- (B) 4" X 4" COMBINATION C.O. REFER TO DRAWING LRW EAD 2.3, FIG 1-2, 1-3 AND 1-4 FOR DETAILS.
- (C) 4" C.I.P. COMBINATION 'Y' AND 1/2" BEND. REFER TO DRAWING LRW EAD 2.3, FIG 1-3 FOR DETAILS.
- (D) TWO PREFABRICATED ALUMINUM CHANNEL UNITS (TO HOLD STAINLESS STEEL MESH SCREENS IN PLACE) ARE TO BE INSTALLED AND BOLTED TO THE INTERCEPTOR WALLS (AS SHOWN) WITH STAINLESS STEEL BOLTS.
- (E) REMOVABLE STAINLESS STEEL MESH LINT SCREENS. TWO MUST BE INSTALLED. LINT SCREEN OPENINGS ARE TO BE NO MORE THAN 1/4" MAX.
- (F) REMOVABLE STAINLESS STEEL MESH BASKET. THE MESH BASKET OPENINGS ARE TO BE NO MORE THAN 1/2" MAX.
- (H) 4" CIP QUARTER BEND.
- (I) 4" SCHEDULE 80 PVC SOLVENT WELD PIPING INSIDE INTERCEPTOR.
- (J) KOR-N-SEAL BOOT OR APPROVED EQUAL - REQUIRED WHERE PIPING PENETRATES THE INTERCEPTOR EXTERIOR WALLS. REFER TO DRAWING LRW EAD 2.3, FIG. 1-1 FOR DETAIL.
- (K) VENTS ARE TO BE INSTALLED PER THE LATEST REVISION OF THE ARKANSAS STATE PLUMBING CODE.

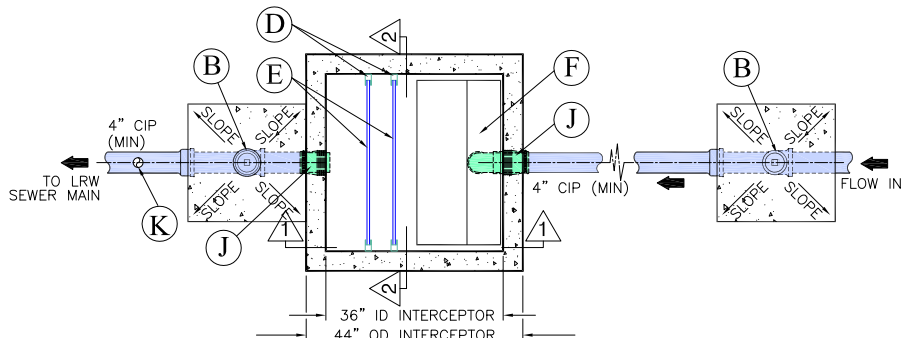
REPRESENTS PIPING PROVIDED BY INTERCEPTOR MANUFACTURER.
 REPRESENTS PIPING TO BE INSTALLED BY LICENSED PLUMBER.



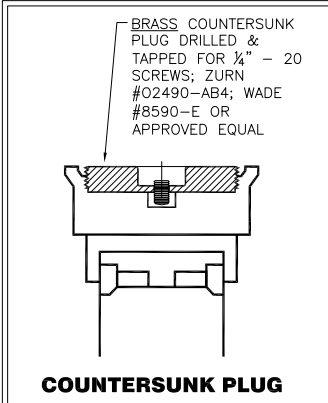
SECTION '1' WITH LID IN OPEN POSITION



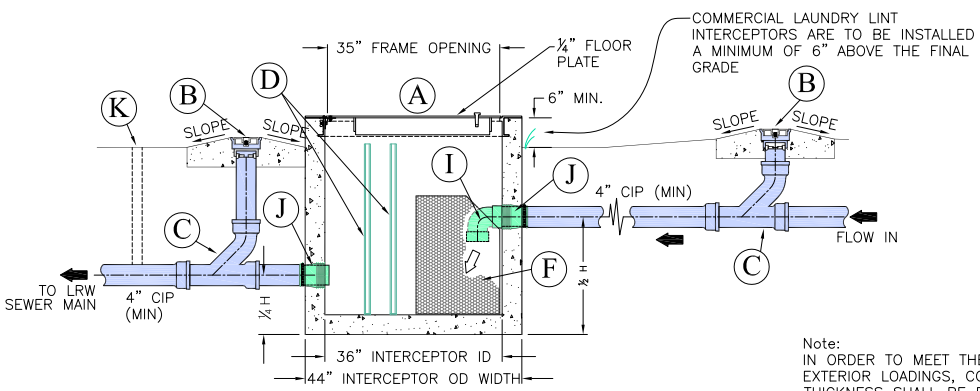
PLAN VIEW WITH LID



PLAN VIEW BEFORE THE LID IS INSTALLED



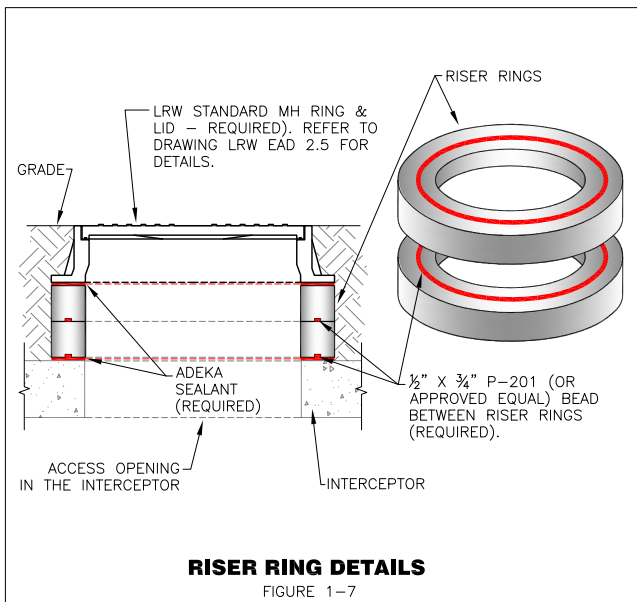
COUNTERSUNK PLUG



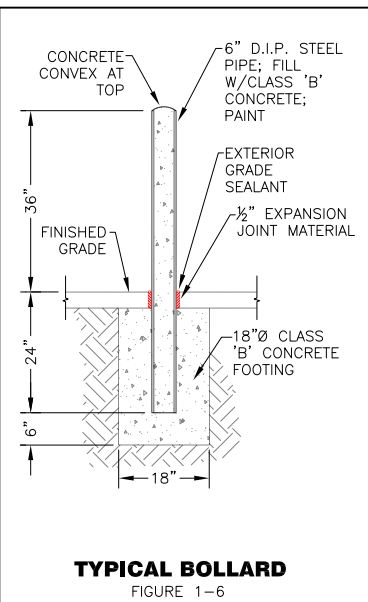
SECTION '1' WITH LID IN CLOSED POSITION

Note:
IN ORDER TO MEET THE INTERIOR AND EXTERIOR LOADINGS, CONCRETE THICKNESS SHALL BE PER MANUFACTURER'S ENGINEERING DESIGN.

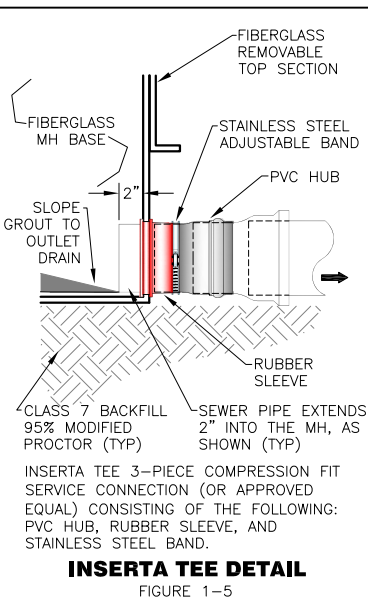
1. ALL CHANGES/REVISIONS/ETC. MUST BE APPROVED BY THE LRW DIRECTOR OF ENVIRONMENTAL ASSESSMENT.
2. THIS DRAWING IS THE PROPERTY OF LITTLE ROCK WASTEWATER (LRW), AND IS NOT TO BE MODIFIED IN WHOLE OR IN PART. IT IS TO BE USED FOR PROJECT(S) ASSOCIATED WITH LITTLE ROCK WASTEWATER.



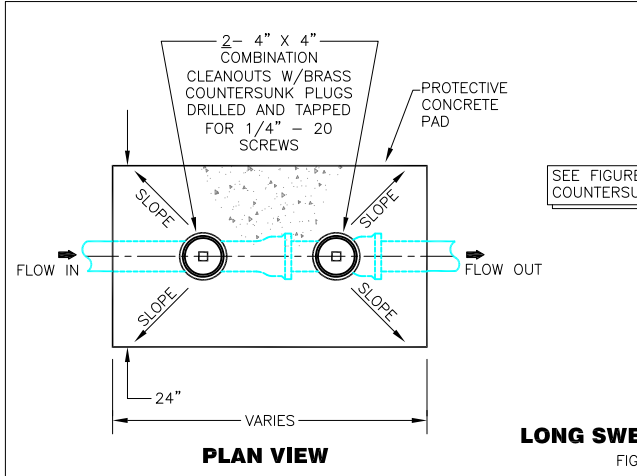
RISER RING DETAILS
FIGURE 1-7



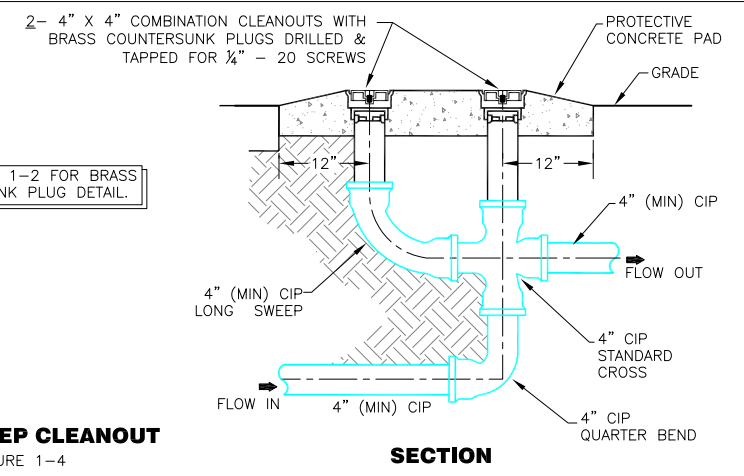
TYPICAL BOLLARD
FIGURE 1-6



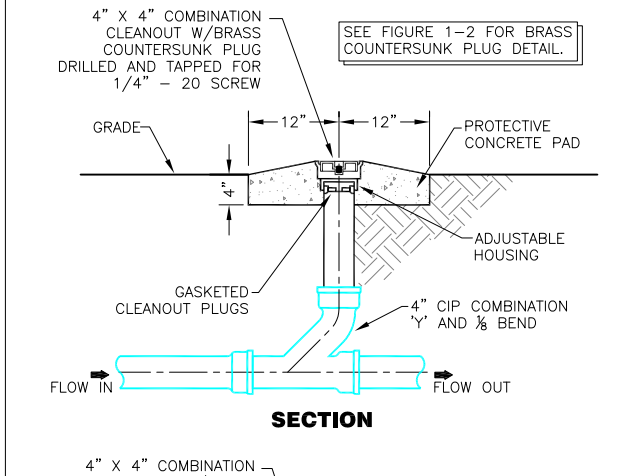
INSERTA TEE DETAIL
FIGURE 1-5



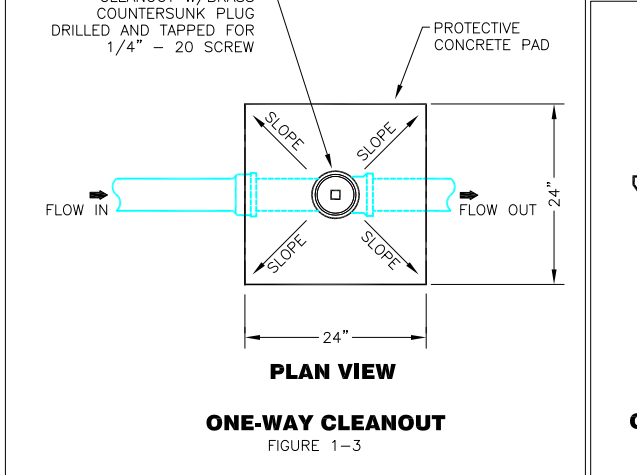
PLAN VIEW



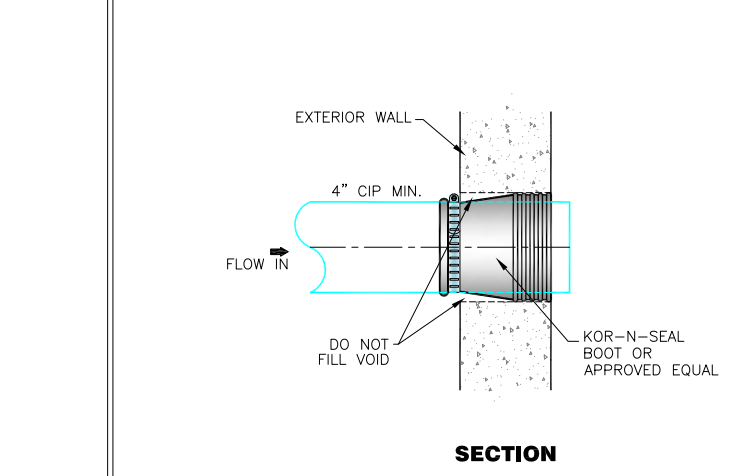
SECTION



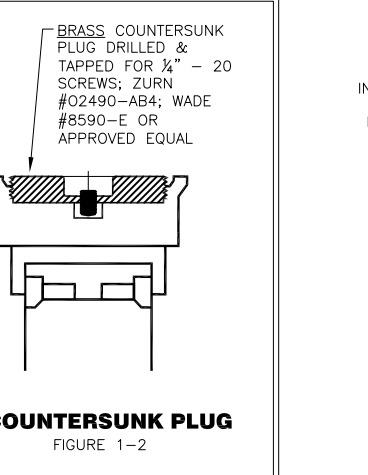
SECTION



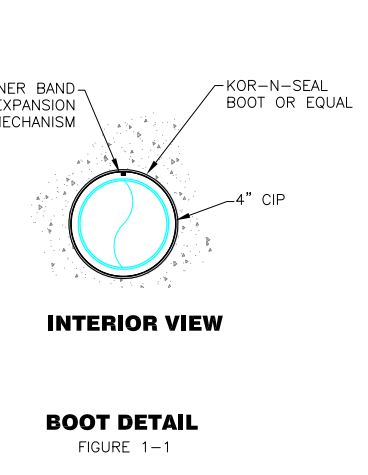
ONE-WAY CLEANOUT
FIGURE 1-3



SECTION



COUNTERSUNK PLUG
FIGURE 1-2



INTERIOR VIEW
BOOT DETAIL
FIGURE 1-1

LRW
EAD
2.3

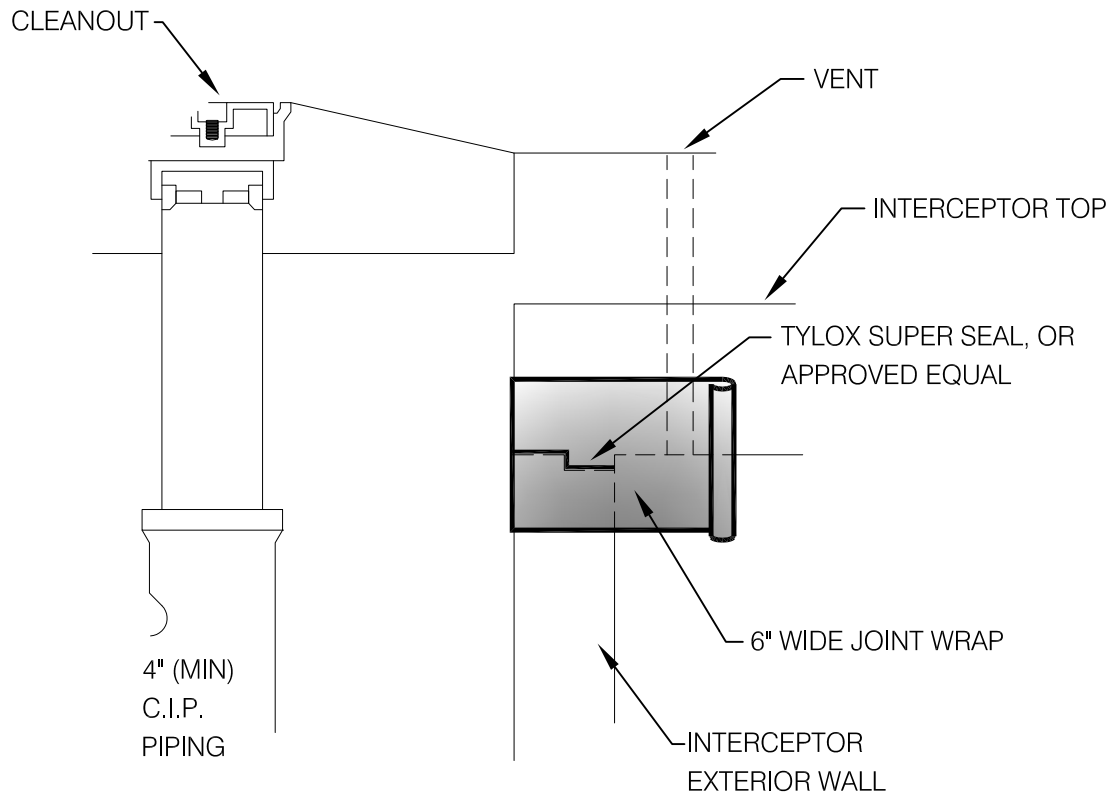
TRAP CONTROL & MISCELLANEOUS DETAILS

Little Rock Wastewater SPECIFICATIONS

PREPARED BY: EVANGELINE O'NEAL
LATEST REVISION: 12/22/2008 1:52:36 PM
DRAWING STATUS: **APPROVED**
FILENAME: LRW EAD 2.3.dwg

Notes

- ALL CHANGES/REVISIONS/ETC. MUST BE APPROVED BY THE LRW DIRECTOR OF ENVIRONMENTAL ASSESSMENT.
- THIS DRAWING IS THE PROPERTY OF LITTLE ROCK WASTEWATER (LRW), AND IS NOT TO BE MODIFIED IN WHOLE OR IN PART. IT IS TO BE USED FOR PROJECT(S) ASSOCIATED WITH LITTLE ROCK WASTEWATER.



NOTES:

JOINT WRAP TO BE USED:

- ON OUTSIDE ALL COLD JOINTS.
- ON THE OUTSIDE ALL INTERCEPTOR JOINTS.

THIS DRAWING IS THE PROPERTY OF LITTLE ROCK WASTEWATER, AND IS NOT TO BE MODIFIED IN WHOLE OR IN PART. IT IS TO BE USED FOR PROJECT(S) ASSOCIATED WITH LITTLE ROCK WASTEWATER.

Notes

ALL CHANGES/REVISIONS/ETC. MUST BE APPROVED BY THE LRW DIRECTOR OF ENVIRONMENTAL ASSESSMENT.

Prepared By: Evangeline O'Neal
 Updated: 12/9/2008 1:14:16 PM
 Drawing Status:
APPROVED
 Filename: LRW EAD 2.2.dwg



**JOINT WRAP
DETAIL**

LRW

**EAD
2.2**